

DC40

Series

BLDC PUMP



Main Features

- Brushless DC motor, also known as EC motor; Magnetic Driven;
- Small size but strong; Low consumption & High Efficiency;
- Long time continuous working, lifespan about 30000 hours;
- Safety - no spark, Explosion - proof; Low noise about 40dB;
- Submersible, 100% waterproof;
- Wide range of working voltage; Maintenance - free;
- Can be used to pump water, oil, acid and alkali solution;

Specifications

Inlet (Outer diameter): 14 mm

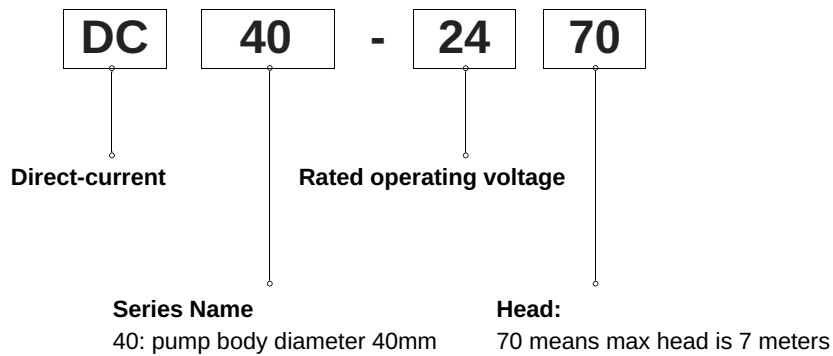
Outlet (Outer diameter): 10 mm

Material: PA66 + 30% glass fiber (optional)

Weight: about 220 g

Max Working temperature: 60°C

Model Code



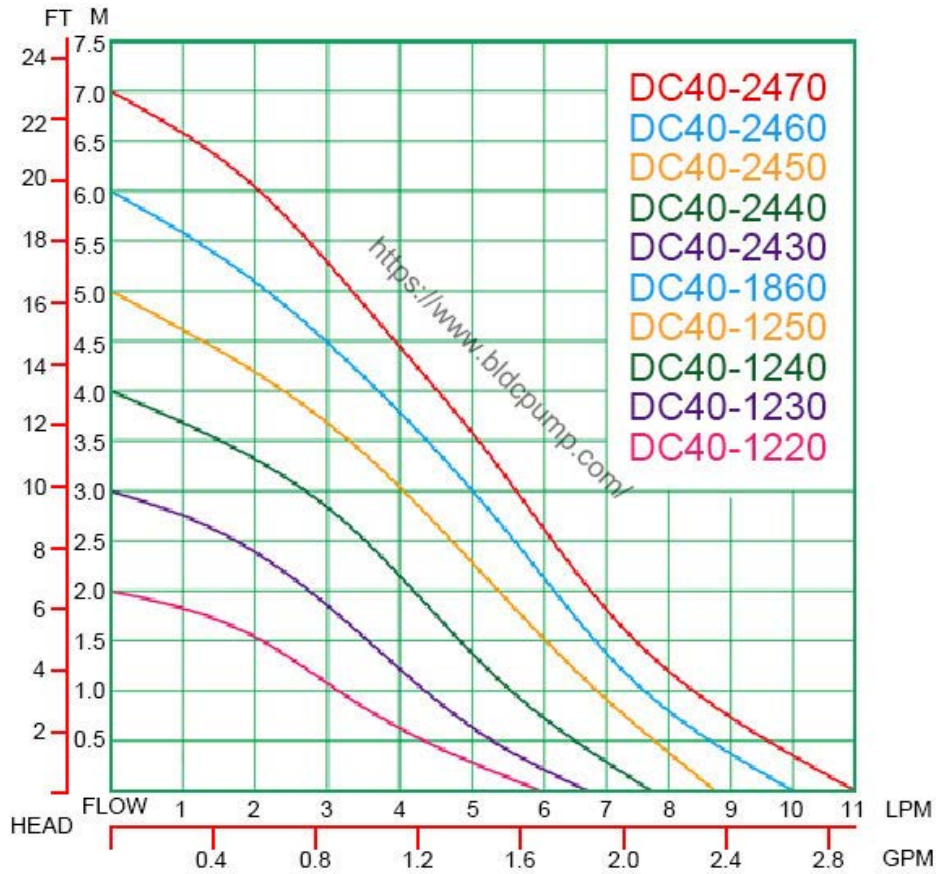
Mode List

Model	Voltage (V)	Current (A)	Max flow (L/H)	Max head (M)
DC40-1220	12	0.45	350	2.0
DC40-1230	12	0.70	400	3.0
DC40-1240	12	1.00	460	4.0
DC40-1250	12	1.20	520	5.0
DC40-1860	18	1.20	600	6.0
DC40-2430	24	0.35	400	3.0
DC40-2440	24	0.50	460	4.0
DC40-2450	24	0.55	520	5.0
DC40-2460	24	0.80	600	6.0
DC40-2470	24	1.00	660	7.0

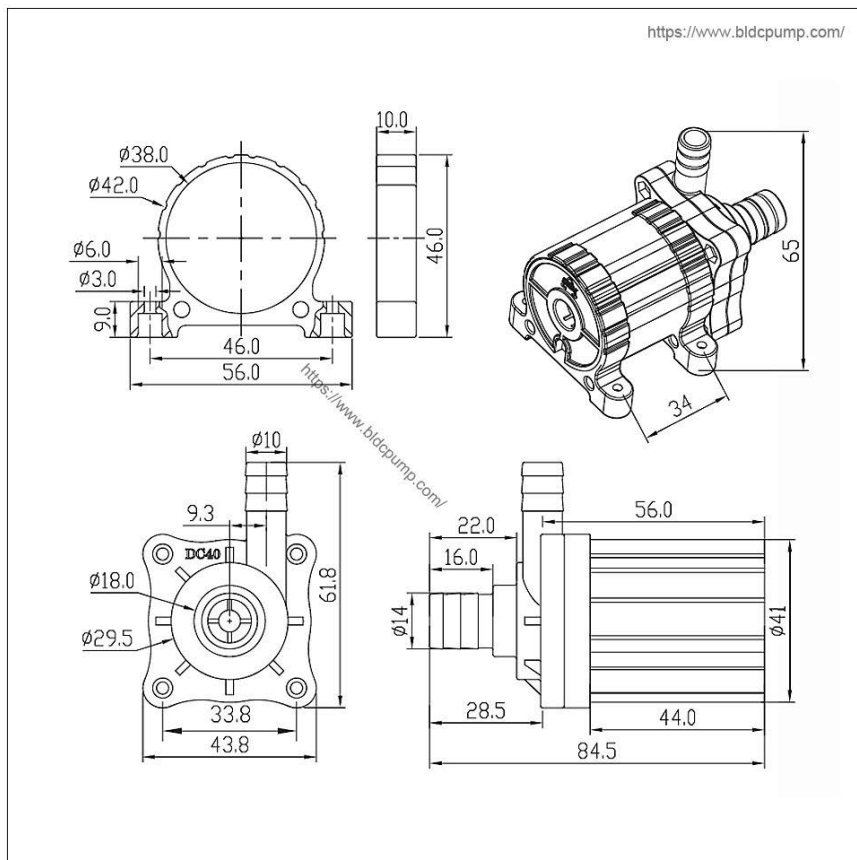
Tips:

We offer customized service according to your specific needs at a reasonable price.

Performance Curve



Dimensions



BLDC PUMP

BLDC PUMP



Main Features

- Brushless DC motor, also known as EC motor; Magnetic Driven;
- Small size but strong; Low consumption & High Efficiency;
- Long time continuous working, lifespan about 30000 hours;
- Safety - no spark, Explosion - proof; Low noise about 40dB;
- Submersible, 100% waterproof;
- Wide range of working voltage; Maintenance - free;
- Can be used to pump water, oil, acid and alkali solution;

Specifications

Inlet (Outer diameter): 14 mm

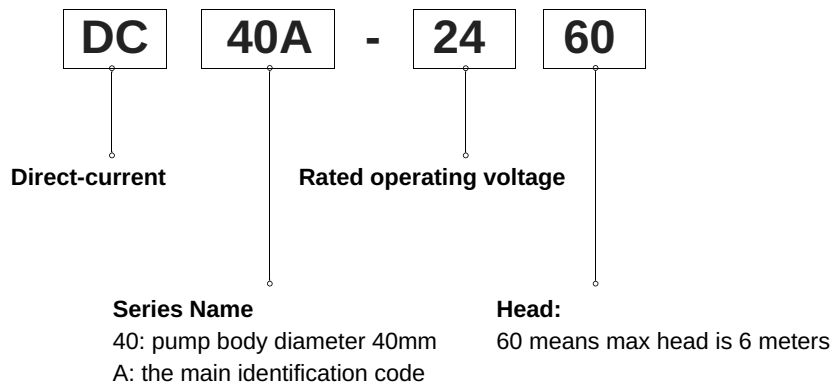
Outlet (Outer diameter): 14 mm

Material: PA66 + 30% glass fiber (optional)

Weight: about 220 g

Max Working temperature: 60°C

Model Code



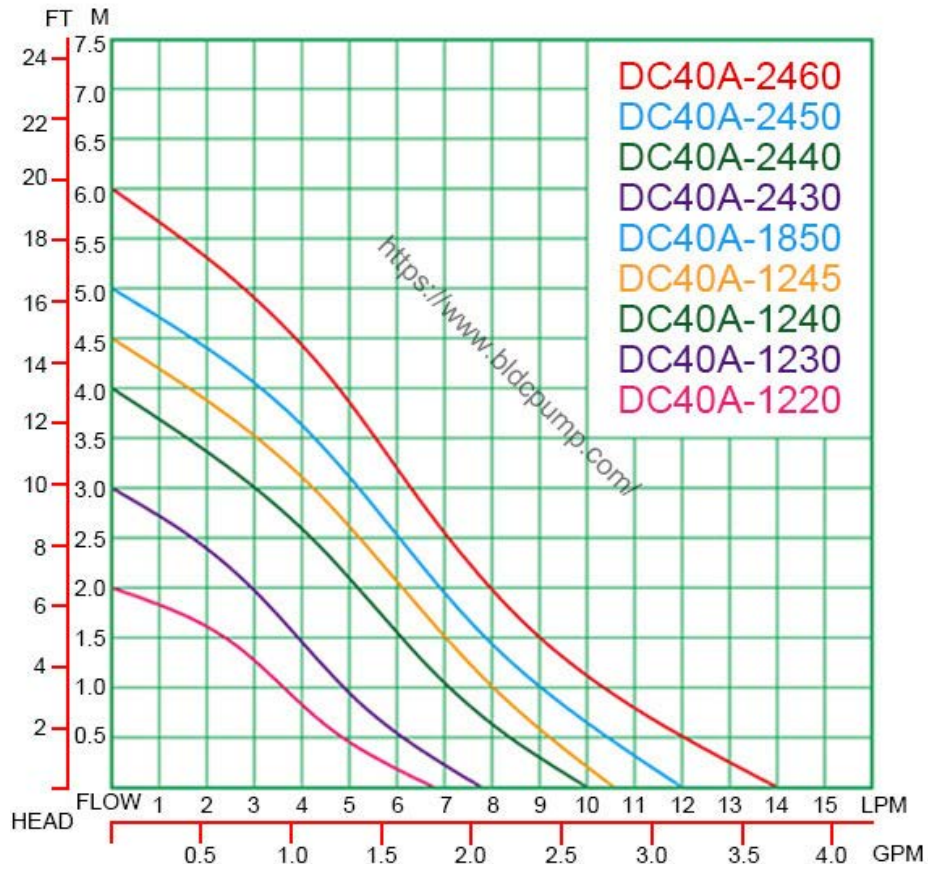
Mode List

Model	Voltage (V)	Current (A)	Max flow (L/H)	Max head (M)
DC40A-1220	12	0.45	400	2.0
DC40A-1230	12	0.80	500	3.0
DC40A-1240	12	1.10	600	4.0
DC40A-1245	12	1.20	620	4.5
DC40A-1850	18	1.20	720	5.0
DC40A-2430	24	0.40	500	3.0
DC40A-2440	24	0.65	600	4.0
DC40A-2450	24	0.90	720	5.0
DC40A-2460	24	1.20	840	6.0

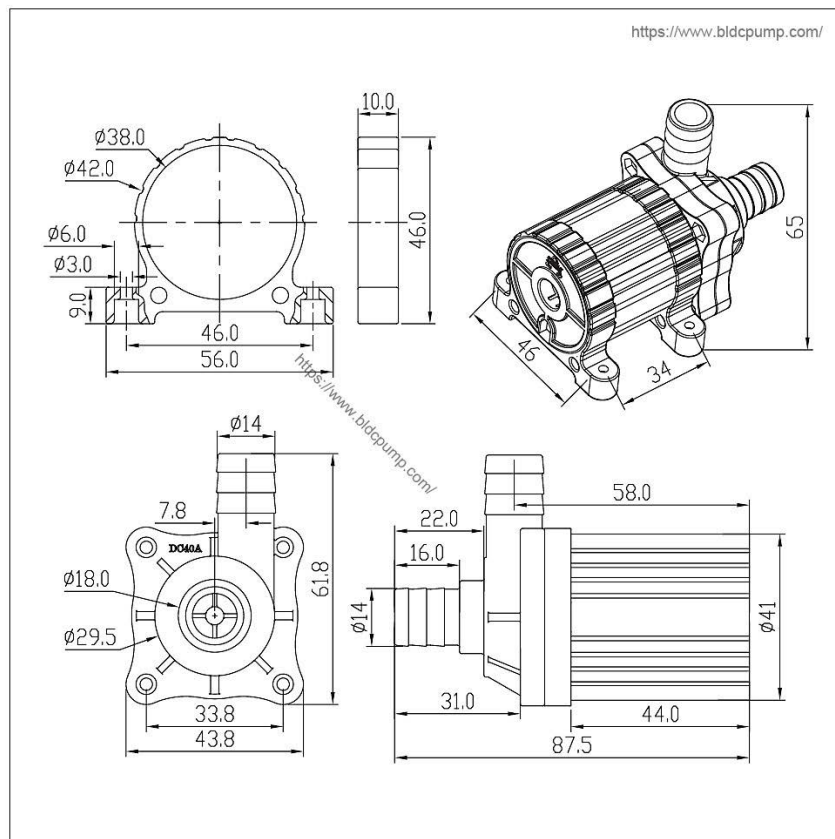
Tips:

We offer customized service according to your specific needs at a reasonable price.

Performance Curve



Dimensions



BLDC PUMP

BLDC PUMP



Main Features

- Brushless DC motor, also known as EC motor; Magnetic Driven;
- Small size but strong; Low consumption & High Efficiency;
- Long time continuous working, lifespan about 30000 hours;
- Safety - no spark, Explosion - proof; Low noise about 40dB;
- Submersible, 100% waterproof;
- Wide range of working voltage; Maintenance - free;
- Can be used to pump water, oil, acid and alkali solution;

Specifications

Inlet (Outer diameter): 1/2 inch thread (about 20mm)

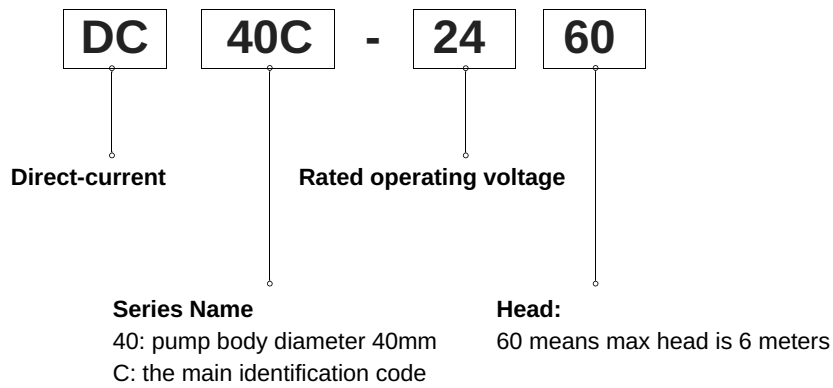
Outlet (Outer diameter): 1/2 inch thread (about 20mm)

Material: PA66 + 30% glass fiber (optional)

Weight: about 220 g

Max Working temperature: 60°C

Model Code



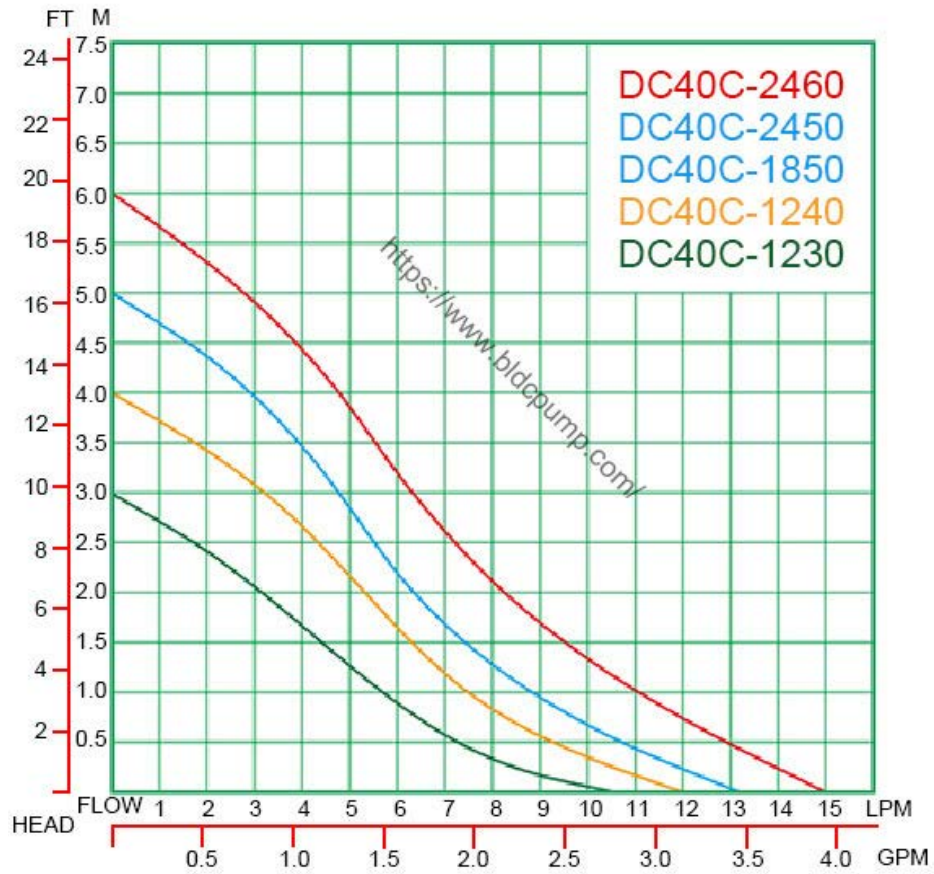
Mode List

Model	Voltage (V)	Current (A)	Max flow (L/H)	Max head (M)
DC40C-1230	12	0.90	620	3.0
DC40C-1240	12	1.20	720	4.0
DC40C-1850	18	1.20	780	5.0
DC40C-2450	24	0.90	780	5.0
DC40C-2460	24	1.20	900	6.0

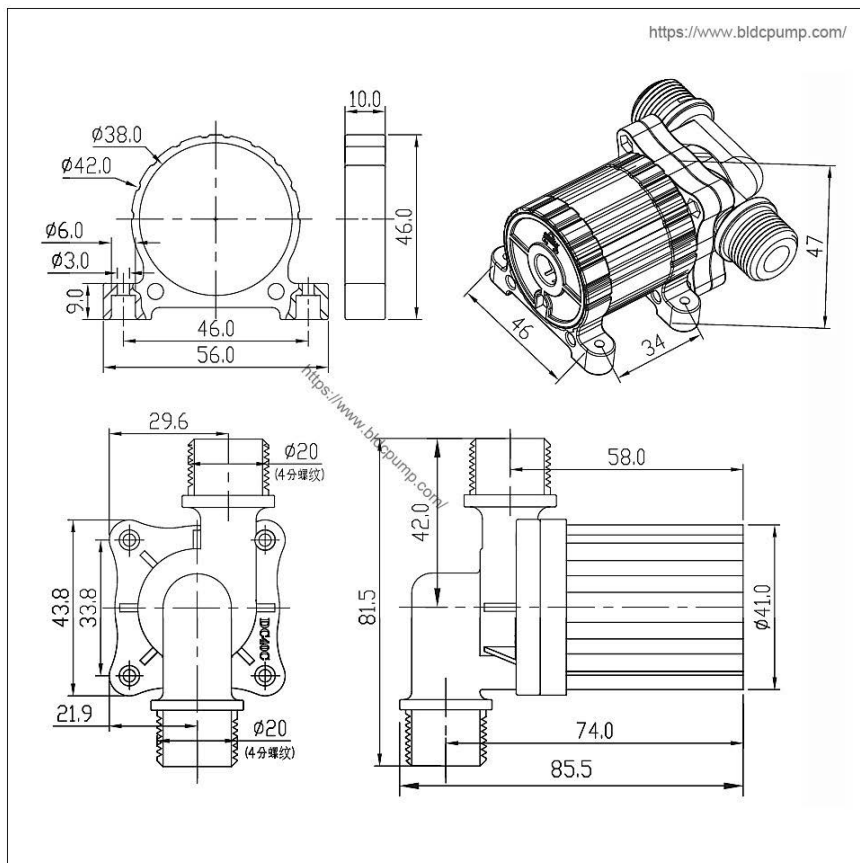
Tips:

We offer customized service according to your specific needs at a reasonable price.

Performance Curve



Dimensions



BLDC PUMP

BLDC PUMP



Main Features

- Brushless DC motor, also known as EC motor; Magnetic Driven;
- Small size but strong; Low consumption & High Efficiency;
- Long time continuous working, lifespan about 30000 hours;
- Safety - no spark, Explosion - proof; Low noise about 40dB;
- Submersible, 100% waterproof;
- Wide range of working voltage; Maintenance - free;
- Can be used to pump water, oil, acid and alkali solution;

Specifications

Inlet (Outer diameter): 1/2 inch thread (about 20mm)

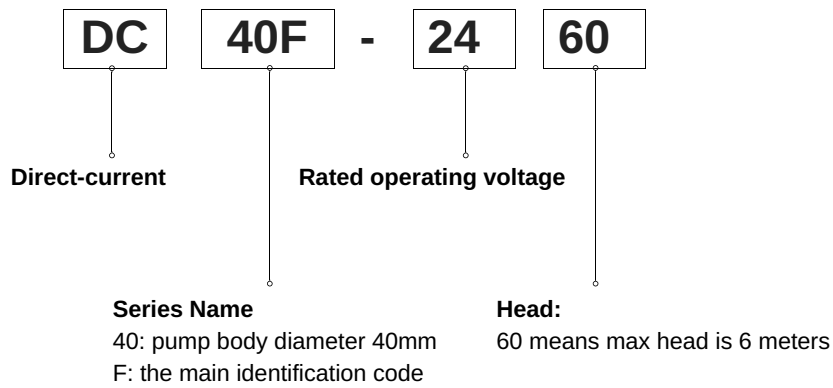
Outlet (Outer diameter): 1/2 inch thread (about 20mm)

Material: PA66 + 30% glass fiber (optional)

Weight: about 220 g

Max Working temperature: 60°C

Model Code



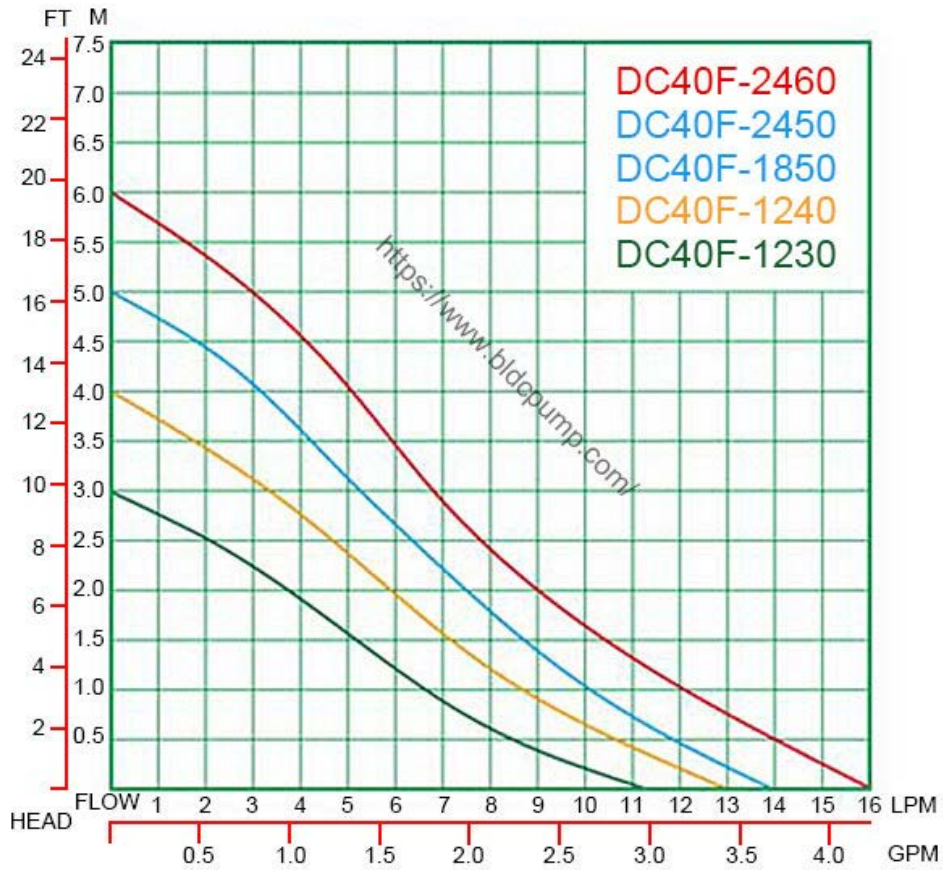
Mode List

Model	Voltage (V)	Current (A)	Max flow (L/H)	Max head (M)
DC40F-1230	12	0.90	660	3.0
DC40F-1240	12	1.20	780	4.0
DC40F-1850	18	1.20	840	5.0
DC40F-2450	24	0.90	840	5.0
DC40F-2460	24	1.20	960	6.0

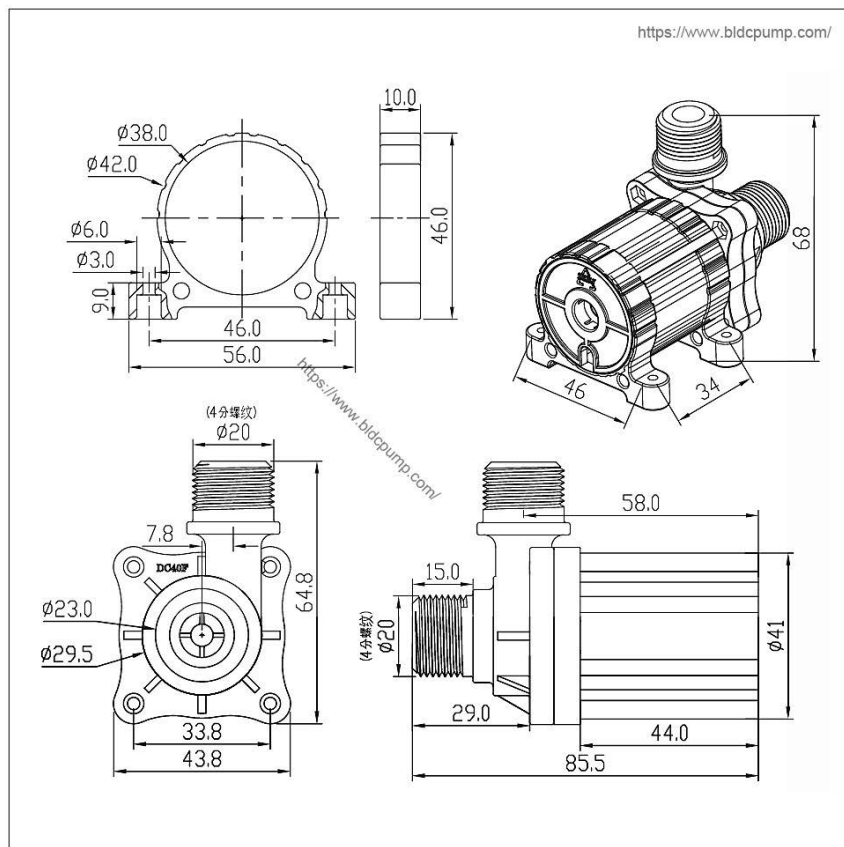
Tips:

We offer customized service according to your specific needs at a reasonable price.

Performance Curve



Dimensions



BLDC PUMP

BLDC PUMP



Main Features

- Brushless DC motor, also known as EC motor; Magnetic Driven;
- Small size but strong; Low consumption & High Efficiency;
- Long time continuous working, lifespan about 30000 hours;
- Safety - no spark, Explosion - proof; Low noise about 40dB;
- Submersible, 100% waterproof;
- Wide range of working voltage; Maintenance - free;
- Can be used to pump water, oil, acid and alkali solution;

Specifications

Inlet (Outer diameter): 11 mm

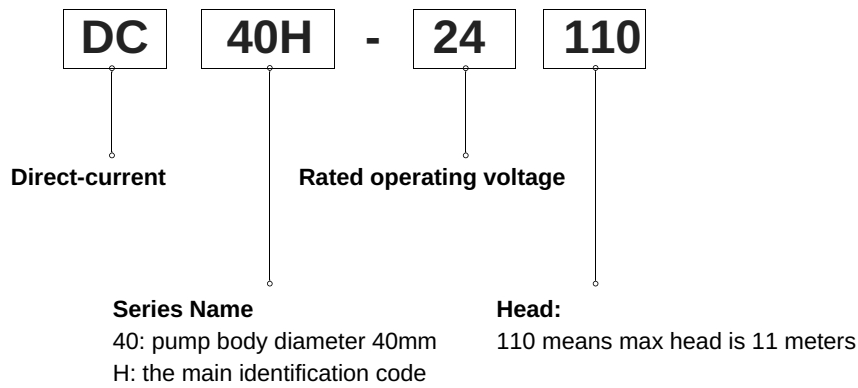
Outlet (Outer diameter): 8 mm

Material: PA66 + 30% glass fiber (optional)

Weight: about 220 g

Max Working temperature: 60°C

Model Code



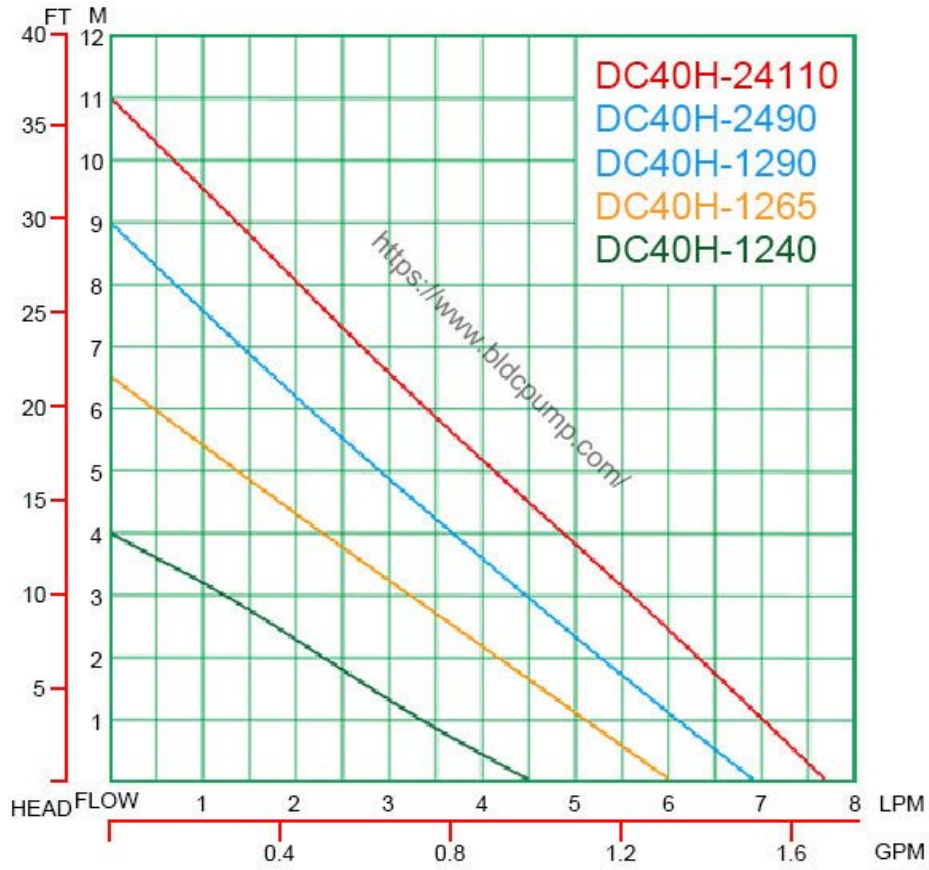
Mode List

Model	Voltage (V)	Current (A)	Max flow (L/H)	Max head (M)
DC40H-1240	12	0.50	270	4.0
DC40H-1265	12	1.20	360	6.5
DC40H-1890	18	1.20	420	9.0
DC40H-2490	24	0.90	420	9.0
DC40H-24110	24	1.20	450	11.0

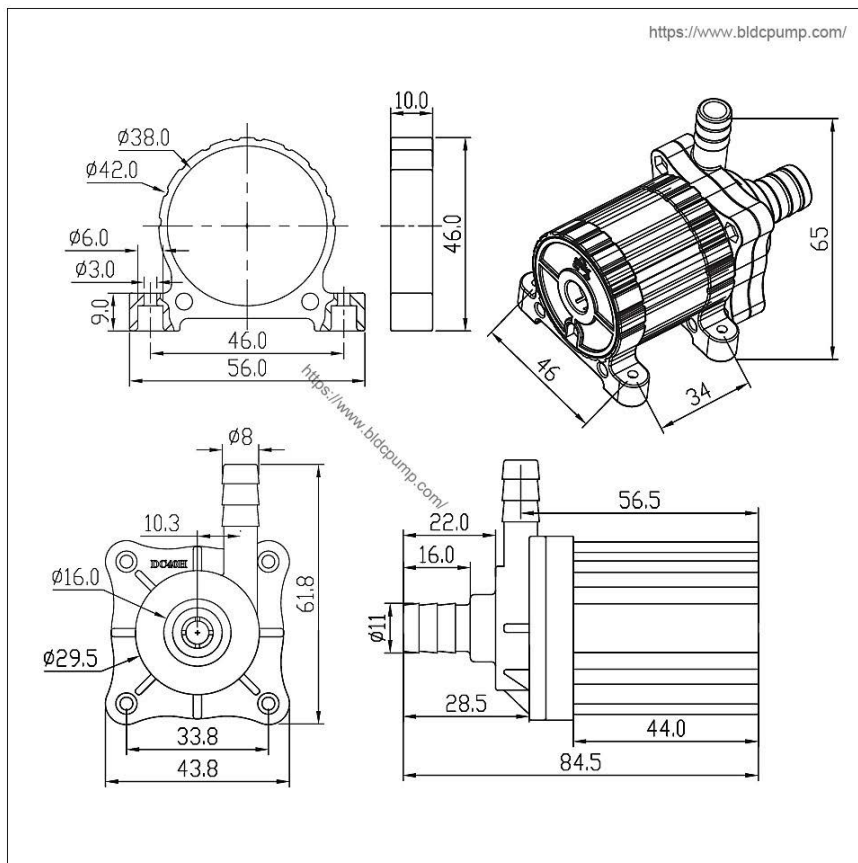
Tips:

We offer customized service according to your specific needs at a reasonable price.

Performance Curve



Dimensions



BLDC PUMP